

PYROPULSE (PP) PRESSURE CONTROL VALVE (PP-PCV)

PRODUCT DESCRIPTION

The Aventech Pyropulse Pressure Control Valve (PCV) is designed to deliver precise pressure regulation, ensuring reliable and safe operation of hose reels and similar equipment in fire suppression systems. With its robust design, this valve is perfect for firefighting scenarios where maintaining controlled pressure is critical to safety and performance.

Key features include:

- **Self-Draining Design:** The PCV features a self-draining mechanism, preventing freeze issues even in environments with ambient temperatures below 0 degrees Celsius.
- **Versatile Inlet Sizes and Pressures:** Available in various inlet sizes and pressure ratings, the PCV can be customized to meet specific customer requirements.
- **Extreme Customization Options:** The PCV can be tailored to exact customer specifications, offering a wide variety of inlet and outlet configurations, including flanged, threaded, hose connectors, and more, ensuring the valve meets any unique system requirement.
- **ON/OFF Functionality:** For specialized applications, the PCV can be ordered with an ON/OFF function, allowing shut down of the system with the PCV. Also an override function is available making it possible with operation without pressure regulation.
- **Material Options:** The PCV is available in a range of high-quality materials to suit diverse operational needs and environments, including Titanium, Super Duplex, Stainless Steel, SS316, Bronze, and Nickel Aluminum Bronze (NiAlBr).
- **Adjustable Pressure Settings:** The valve features an adjustment screw, allowing for easy changes to set pressures, providing flexibility and adaptability in various fire suppression scenarios.



About Aventech

Aventech AS specializes in the design, manufacturing, and production of firefighting equipment. Supported by a robust technical background in firefighting products and systems, Aventech can assist in assessing your fire and safety needs to meet both governmental and customer requirements. Need help planning or executing? Let us guide you.

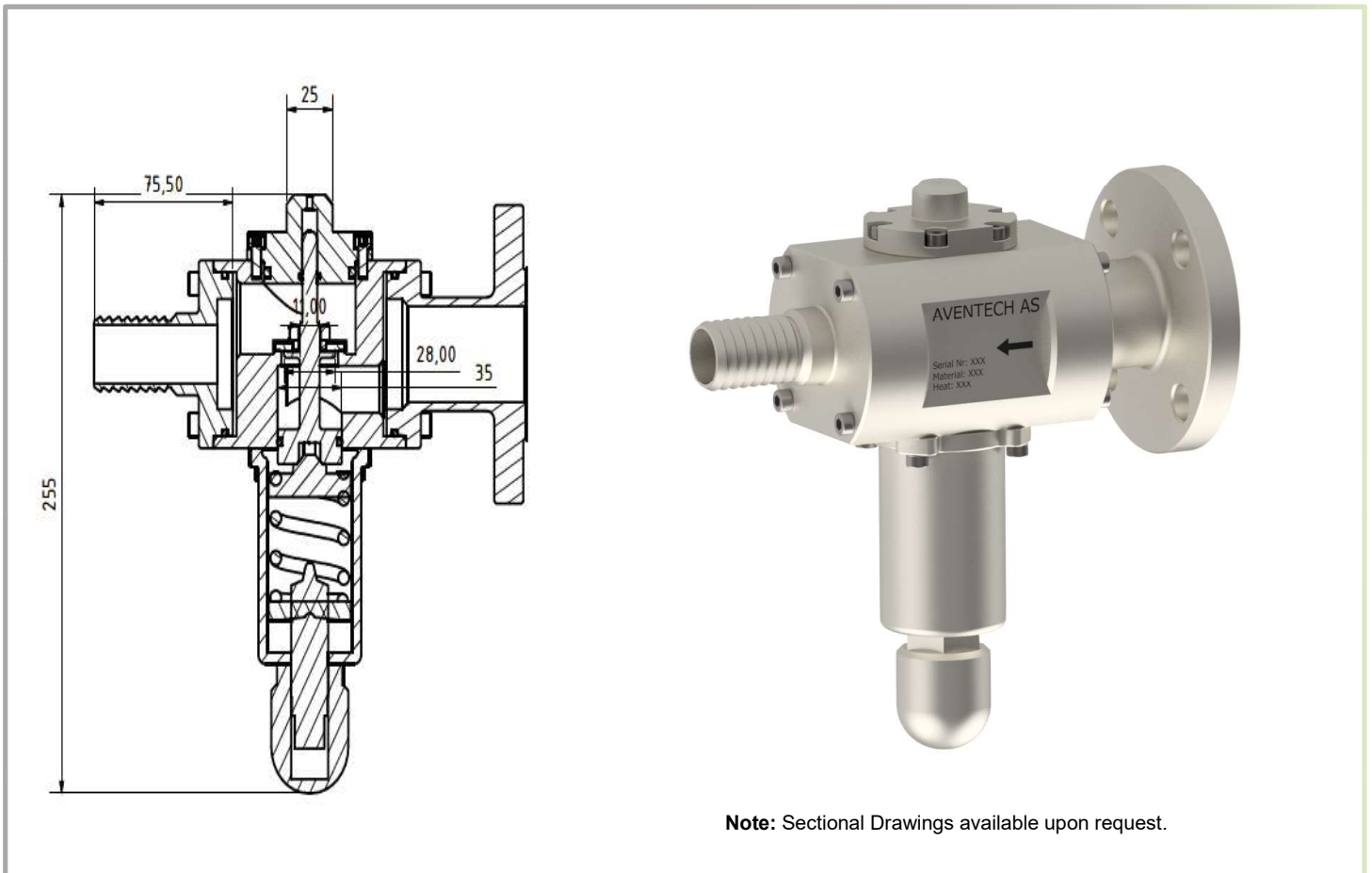
Services;

Technical Support
Installation and Setup
Maintenance
Spare Parts

MARKETS

Oil & Gas, Petrochemical, Offshore wind, Nuclear,
Waste recycling & Fire and rescue services

SECTIONAL DRAWING



Note: Sectional Drawings available upon request.

TABLE A: ALTERNATIVES

Inlet options	Pressure Ratings	Inlet Pressure	Outlet Options	Available Materials	Outlet Pressures
Flanged	150#	Client request	Flanged	Titanium	Client request
BSP Threads	300#	(max 51 barg)	BSP Threads	Super Duplex	(Normally 5 - 9 barg)
NPT Threads			NPT Threads	Bronze	
Hose connector			Hose connector	NiAlBr	

SS316

ALTERNATIVES

- Override function (OPTION)
- ON/OFF function (OPTION)

Upon enquiry please specify material selection, inlet & outlet sizes, pressure class and quantities. Also we can custom-make the valves if there are any special needs that is not covered by this datasheet.

KEY ADVANTAGES

- DNV Type Approval is on-going.
- The equipment includes an adjustment screw on the valve for setting the pressure, with an indicator table (provided with each delivery) for easy adjustment and verification. This new solution offers simpler, more flexible pressure adjustments compared to traditional valves.
- Aventech can also deliver relevant accessories such as hoses, nozzles, stand pipes and other relevant equipment to your projects.

